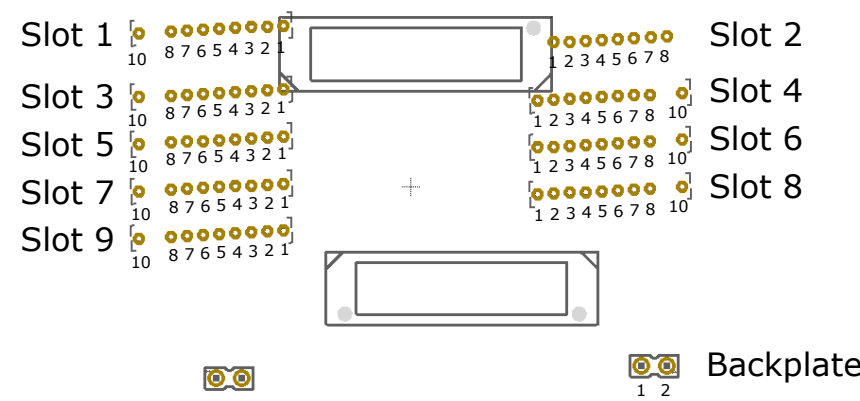
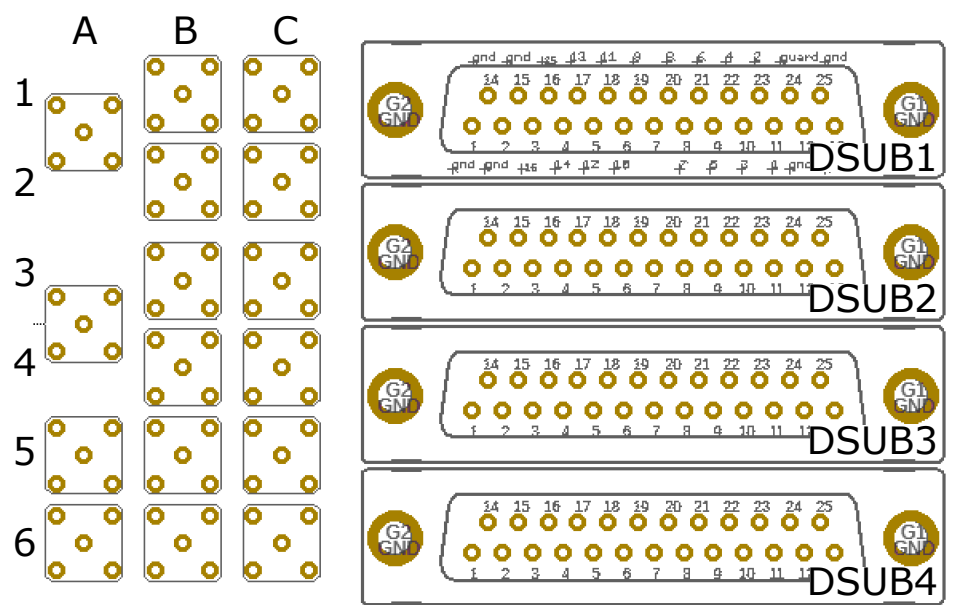


- Samtec Cables
- 34pin Ribbon Cables
- Lemo Cables

### End Cap PCB Code



### Flange PCB Layout



|                   | Detect.       | End Cap     | Flange          | Pre-Amp      | FEBEX | Detect.           | End Cap       | Flange      | Pre-Amp         | FEBEX        |                    |                 |            |              |
|-------------------|---------------|-------------|-----------------|--------------|-------|-------------------|---------------|-------------|-----------------|--------------|--------------------|-----------------|------------|--------------|
| Slot 1: MSPad 15a | Slot-1 Pin-1  | DSUB1 Ch-11 | MPR#1(R1) Ch-1  | Card-0 Ch-1  |       | Slot 6: MSPad 16b | Slot-6 Pin-1  | DSUB2 Ch-19 | MPR#1(R2) Ch-9  | Card-1 Ch-9  | MPR-32 Assignment  |                 |            |              |
|                   | Slot-1 Pin-2  | DSUB1 Ch-23 | MPR#1(R1) Ch-2  | Card-0 Ch-2  |       |                   | Slot-6 Pin-2  | DSUB2 Ch-6  | MPR#1(R2) Ch-10 | Card-1 Ch-10 | Slot 1             | Card-0 Ch:1-7   |            |              |
|                   | Slot-1 Pin-3  | DSUB1 Ch-10 | MPR#1(R1) Ch-3  | Card-0 Ch-3  |       |                   | Slot-6 Pin-3  | DSUB2 Ch-18 | MPR#1(R2) Ch-11 | Card-1 Ch-11 | Slot 3             | Card-0 Ch:9-15  |            |              |
|                   | Slot-1 Pin-4  | DSUB1 Ch-22 | MPR#1(R1) Ch-4  | Card-0 Ch-4  |       |                   | Slot-6 Pin-4  | DSUB2 Ch-5  | MPR#1(R2) Ch-12 | Card-1 Ch-12 | Slot 4             | Card-1 Ch:1-7   |            |              |
|                   | Slot-1 Pin-5  | DSUB1 Ch-9  | MPR#1(R1) Ch-5  | Card-0 Ch-5  |       |                   | Slot-6 Pin-5  | DSUB2 Ch-17 | MPR#1(R2) Ch-13 | Card-1 Ch-13 | Slot 5             | Card-2 Ch:1-7   |            |              |
|                   | Slot-1 Pin-6  | DSUB1 Ch-21 | MPR#1(R1) Ch-6  | Card-0 Ch-6  |       |                   | Slot-6 Pin-6  | DSUB2 Ch-4  | MPR#1(R2) Ch-14 | Card-1 Ch-14 | Slot 6             | Card-1 Ch:9-15  |            |              |
|                   | Slot-1 Pin-7  | DSUB1 Ch-8  | MPR#1(R1) Ch-7  | Card-0 Ch-7  |       |                   | Slot-6 Pin-7  | DSUB2 Ch-16 | MPR#1(R2) Ch-15 | Card-1 Ch-15 | Slot 7             | Card-3 Ch:1-7   |            |              |
|                   | Slot-1 Pin-10 | Lemo B5     | MSI#1 Ch-1      | Card-4 Ch-1  |       |                   | Slot-6 Pin-10 | Lemo C4     | MSI#1 Ch-5      | Card-4 Ch-5  | Slot 8             | Card-2 Ch9-15   |            |              |
| Slot 3: MSPad 15b | Slot-3 Pin-1  | DSUB1 Ch-19 | MPR#1(R1) Ch-9  | Card-0 Ch-9  |       | Slot 7: MSPad 16c | Slot-7 Pin-1  | DSUB4 Ch-11 | MPR#2(R2) Ch-1  | Card-3 Ch-1  | Slot 9             | Card-3 Ch:9-15  |            |              |
|                   | Slot-3 Pin-2  | DSUB1 Ch-6  | MPR#1(R1) Ch-10 | Card-0 Ch-10 |       |                   | Slot-7 Pin-2  | DSUB4 Ch-23 | MPR#2(R2) Ch-2  | Card-3 Ch-2  |                    |                 |            |              |
|                   | Slot-3 Pin-3  | DSUB1 Ch-18 | MPR#1(R1) Ch-11 | Card-0 Ch-11 |       |                   | Slot-7 Pin-3  | DSUB4 Ch-10 | MPR#2(R2) Ch-3  | Card-3 Ch-3  | MSI-8 Assignment   |                 |            |              |
|                   | Slot-3 Pin-4  | DSUB1 Ch-5  | MPR#1(R1) Ch-12 | Card-0 Ch-12 |       |                   | Slot-7 Pin-4  | DSUB4 Ch-22 | MPR#2(R2) Ch-4  | Card-3 Ch-4  | n-Sides            | Card-4 Ch:1-8   |            |              |
|                   | Slot-3 Pin-5  | DSUB1 Ch-17 | MPR#1(R1) Ch-13 | Card-0 Ch-13 |       |                   | Slot-7 Pin-5  | DSUB4 Ch-9  | MPR#2(R2) Ch-5  | Card-3 Ch-5  | DSSD               | Card-4 Ch:9-12  |            |              |
|                   | Slot-3 Pin-6  | DSUB1 Ch-4  | MPR#1(R1) Ch-14 | Card-0 Ch-14 |       |                   | Slot-7 Pin-6  | DSUB4 Ch-21 | MPR#2(R2) Ch-6  | Card-3 Ch-6  | BGO Spec           | Card-4 Ch:13-14 |            |              |
|                   | Slot-3 Pin-7  | DSUB1 Ch-16 | MPR#1(R1) Ch-15 | Card-0 Ch-15 |       |                   | Slot-7 Pin-7  | DSUB4 Ch-8  | MPR#2(R2) Ch-7  | Card-3 Ch-7  | Crystal            | Card-4 Ch:15-16 |            |              |
|                   | Slot-3 Pin-10 | Lemo C5     | MSI#1 Ch-2      | Card-4 Ch-2  |       |                   | Slot-7 Pin-10 | Lemo B6     | MSI#1 Ch-6      | Card-4 Ch-6  |                    |                 |            |              |
| Slot 4: MSPad 15c | Slot-4 Pin-1  | DSUB2 Ch-11 | MPR#1(R2) Ch-1  | Card-1 Ch-1  |       | Slot 8: Empty     | Slot-8 Pin-1  | DSUB3 Ch-19 | MPR#2(R1) Ch-9  | Card-2 Ch-9  | Slot 2: DSSD       |                 |            |              |
|                   | Slot-4 Pin-2  | DSUB2 Ch-23 | MPR#1(R2) Ch-2  | Card-1 Ch-2  |       |                   | Slot-8 Pin-2  | DSUB3 Ch-6  | MPR#2(R1) Ch-10 | Card-2 Ch-10 | Detector           | End Cap         | Pre-Amp    | FEBEX        |
|                   | Slot-4 Pin-3  | DSUB2 Ch-10 | MPR#1(R2) Ch-3  | Card-1 Ch-3  |       |                   | Slot-8 Pin-3  | DSUB3 Ch-18 | MPR#2(R1) Ch-11 | Card-2 Ch-11 | Slot-2 Pin-1       | Lemo C2         | MSI#2 Ch-1 | Card-4 Ch-9  |
|                   | Slot-4 Pin-4  | DSUB2 Ch-22 | MPR#1(R2) Ch-4  | Card-1 Ch-4  |       |                   | Slot-8 Pin-4  | DSUB3 Ch-5  | MPR#2(R1) Ch-12 | Card-2 Ch-12 | Slot-2 Pin-2       | Lemo B2         | MSI#2 Ch-2 | Card-4 Ch-10 |
|                   | Slot-4 Pin-5  | DSUB2 Ch-9  | MPR#1(R2) Ch-5  | Card-1 Ch-5  |       |                   | Slot-8 Pin-5  | DSUB3 Ch-17 | MPR#2(R1) Ch-13 | Card-2 Ch-13 | Slot-2 Pin-6       | Lemo B1         | MSI#2 Ch-3 | Card-4 Ch11  |
|                   | Slot-4 Pin-6  | DSUB2 Ch-21 | MPR#1(R2) Ch-6  | Card-1 Ch-6  |       |                   | Slot-8 Pin-6  | DSUB3 Ch-4  | MPR#2(R1) Ch-14 | Card-2 Ch-14 | Slot-2 Pin-7       | Lemo C1         | MSI#2 Ch-4 | Card-4 Ch12  |
|                   | Slot-4 Pin-7  | DSUB2 Ch-8  | MPR#1(R2) Ch-7  | Card-1 Ch-7  |       |                   | Slot-8 Pin-7  | DSUB3 Ch-16 | MPR#2(R1) Ch-15 | Card-2 Ch-15 |                    |                 |            |              |
|                   | Slot-4 Pin-10 | Lemo A5     | MSI#1 Ch-3      | Card-4 Ch-3  |       |                   | Slot-8 Pin-10 | Lemo B4     | MSI#1 Ch-7      | Card-4 Ch-7  |                    |                 |            |              |
| Slot 5: MSPad 16a | Slot-5 Pin-1  | DSUB3 Ch-11 | MPR#2(R1) Ch-1  | Card-2 Ch-1  |       | Slot 9: Empty     | Slot-9 Pin-1  | DSUB4 Ch-19 | MPR#2(R2) Ch-9  | Card-3 Ch-9  | Backplate: Crystal |                 |            |              |
|                   | Slot-5 Pin-2  | DSUB3 Ch-23 | MPR#2(R1) Ch-2  | Card-2 Ch-2  |       |                   | Slot-9 Pin-2  | DSUB4 Ch-6  | MPR#2(R2) Ch-10 | Card-3 Ch-10 | E\$ Pin-1          | Lemo B3         | MSI#2 Ch-7 | Card-4 Ch-15 |
|                   | Slot-5 Pin-3  | DSUB3 Ch-10 | MPR#2(R1) Ch-3  | Card-2 Ch-3  |       |                   | Slot-9 Pin-3  | DSUB4 Ch-18 | MPR#2(R2) Ch-11 | Card-3 Ch-11 | E\$ Pin-2          | Lemo C3         | MSI#2 Ch-8 | Card-4 Ch-16 |
|                   | Slot-5 Pin-4  | DSUB3 Ch-22 | MPR#2(R1) Ch-4  | Card-2 Ch-4  |       |                   | Slot-9 Pin-4  | DSUB4 Ch-5  | MPR#2(R2) Ch-12 | Card-3 Ch-12 |                    |                 |            |              |
|                   | Slot-5 Pin-5  | DSUB3 Ch-9  | MPR#2(R1) Ch-5  | Card-2 Ch-5  |       |                   | Slot-9 Pin-5  | DSUB4 Ch-17 | MPR#2(R2) Ch-13 | Card-3 Ch-13 |                    |                 |            |              |
|                   | Slot-5 Pin-6  | DSUB3 Ch-21 | MPR#2(R1) Ch-6  | Card-2 Ch-6  |       |                   | Slot-9 Pin-6  | DSUB4 Ch-4  | MPR#2(R2) Ch-14 | Card-3 Ch-14 |                    |                 |            |              |
|                   | Slot-5 Pin-7  | DSUB3 Ch-8  | MPR#2(R1) Ch-7  | Card-2 Ch-7  |       |                   | Slot-9 Pin-7  | DSUB4 Ch-16 | MPR#2(R2) Ch-15 | Card-3 Ch-15 |                    |                 |            |              |
|                   | Slot-5 Pin-10 | Lemo A6     | MSI#1 Ch-4      | Card-4 Ch-4  |       |                   | Slot-9 Pin-10 | Lemo C6     | MSI#1 Ch-8      | Card-4 Ch-8  |                    |                 |            |              |